

A concept for and an implementation of the Bean Scripting Framework for Rexx

by Peter Kalender

What is Rexx?

- Scripting language
 - Very readable
 - Designed as macro language
- ==> Easy to add new functions
- ==> Easy access from other languages

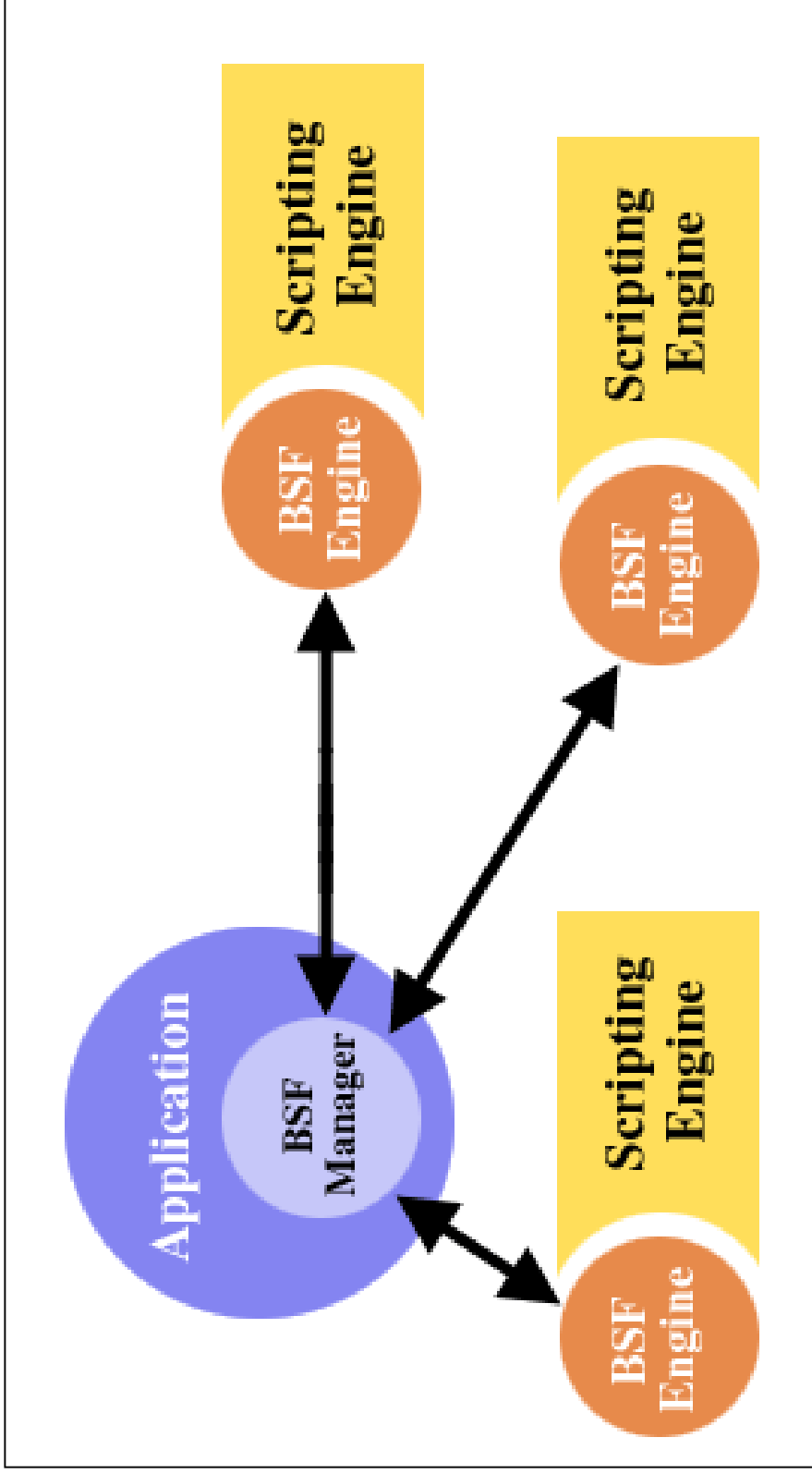
What are Java Beans?

- Components
- Expose features to tools
- Used for visual programming
- Communicate through events

What is the Bean Scripting Framework (BSF)?

- Use scripts in Java
- Control Java Objects with scripts

A concept for and an implementation of the BSF for Rexx

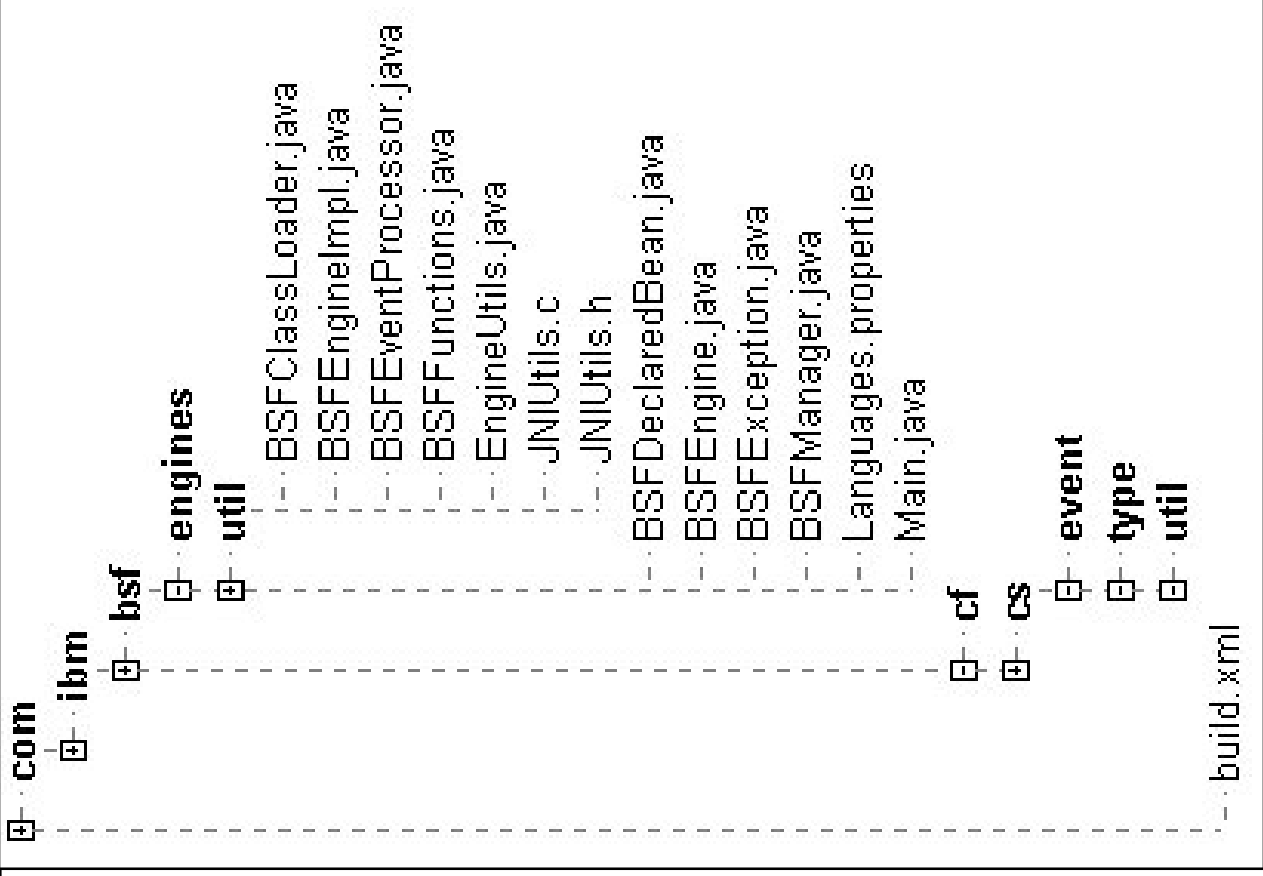


The BSF architecture

Scripting languages supported by BSF 2.1

- BML
- Jacl
- JavaScript
- Jpython
- NetRexx
- TCL
- XSL
- On Win32: VBScript, Jscript and PerlScript

A concept for and an implementation of the BSF for Rexx



The main BSF files

The BSFManager

- Central class of the BSF
- Administers scripting engines
- Administers beans
- Handles scripts

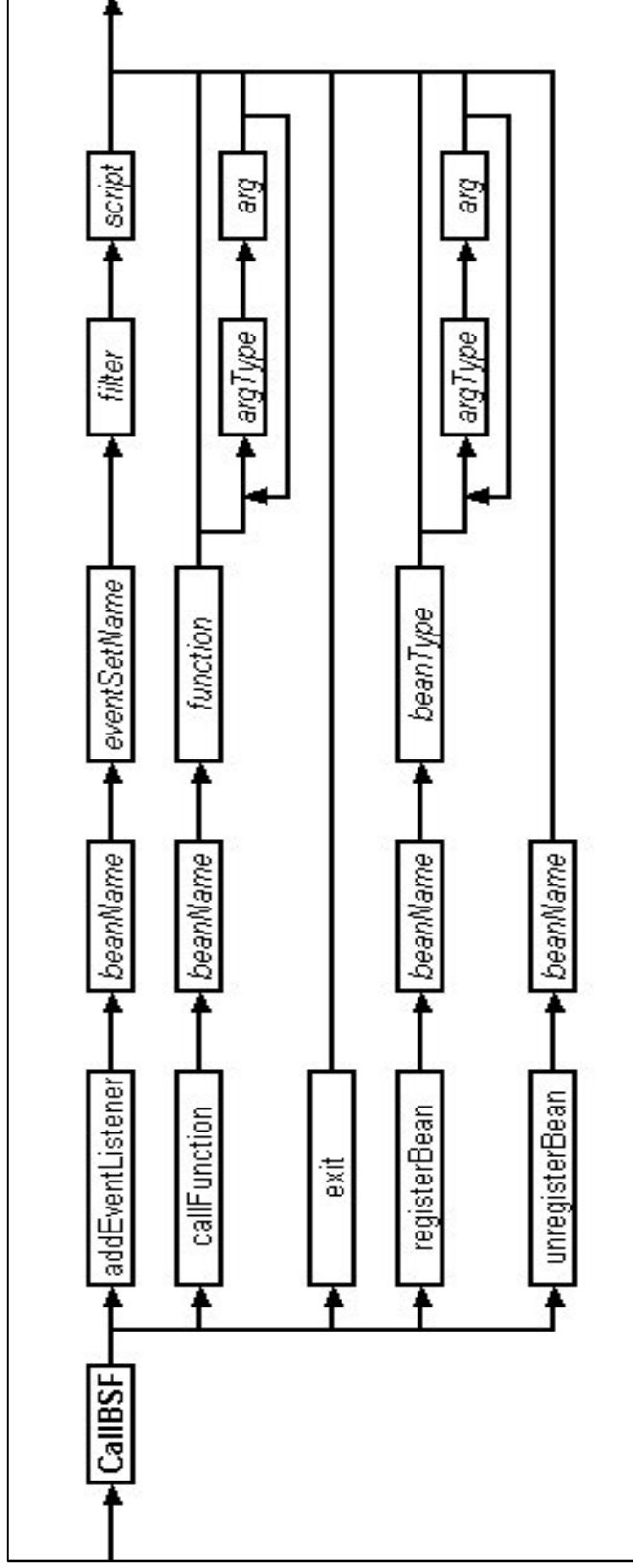
The BSFEngine

- Interface for scripting engines
- declare & undeclare Beans
- Run scripts
- Basic implementation => BSFEngineImpl

Beans in REXX?

- No objects in REXX
- ==> Beans stored in BSFManager
- ==> Function to manipulate beans

A concept for and an implementation of the BSF for Rexx



The CallBSF function

Connecting Java and Rexx

- Rexx SAA API uses C header

=> JNI

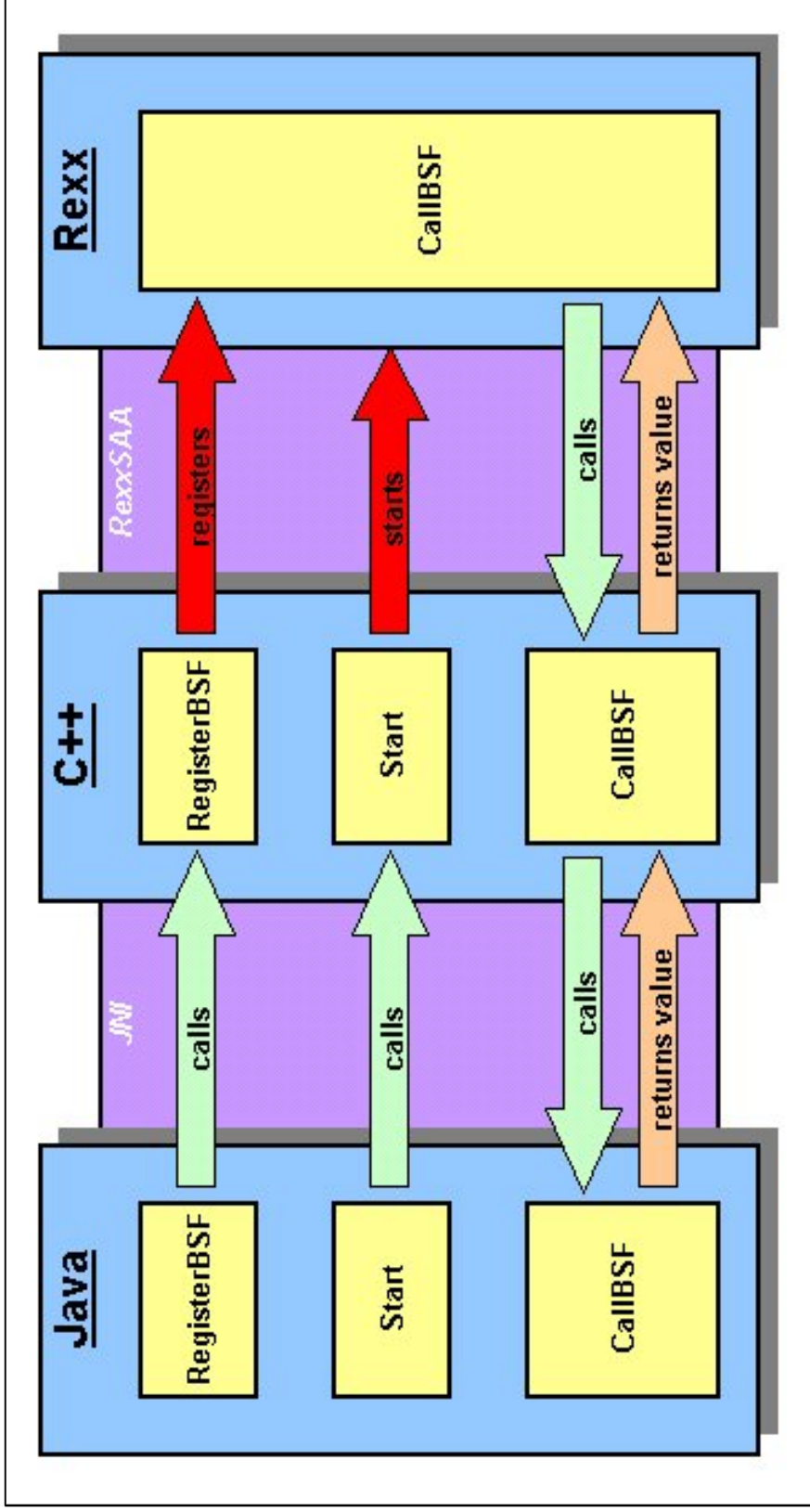
The Rexx SAA API

- Subcommand handlers
- External function handlers
- Interpreting
- Variable interface
- System exits

The Java Native Interface (JNI)

- Native methods
- Callbacks
- Type mapping
- Invoking the Java Virtual Machine

A concept for and an implementation of the BSF for REXX



Connecting Java and REXX

A concept for and an implementation of the BSF for Rexx

```
JNIEXPORT jlong JNICALL  
Java_com_ibm_bsf_engines_rexx_JavaRexxSAA_RegisterBSF(JNIEnv *env,  
    jobject obj)  
{  
    LONG Return Value;  
    Return Value = RexxRegisterFunctionDll("CallBSF",  
        "JaReSAA.dll",  
        "CallBSF");  
    return Return Value;  
}
```


public Object eval (String source, int lineNo, int columnNo,

Object oscript) throws BSFException {

```
String script = oscript.toString ();
if(source.equals("<event-script>")){
    script = script+"\nReturn;\n"+mainScript;
} else {
    mainScript = script;
}
Rexx.Start(script);
return null;
}
```

Bibliography

Rexx

<http://www.RexxLA.org>

<http://www.wi.wu-wien.ac.at/Studium/LVA-Untertagen/poolv/foalien/>

Rexx history

<http://www2.hursley.ibm.com/rexx/rexxhist.htm>

<http://www2.hursley.ibm.com/rexx/faq4.htm>

Regina Rexx interpreter

<http://www.lightlink.com/hessling/Regina/>

Bibliography

BSF

<http://oss.software.ibm.com/developerworks/opensource/bsf/>

<http://www.javaworld.com/javaworld/jw-03-2000/jw-03-beans.html>

Java

<http://java.sun.com/>

JNI

<http://java.sun.com/docs/books/tutorial/>

<http://developer.java.sun.com/developer/onlineTraining/JDCBook/index.html>